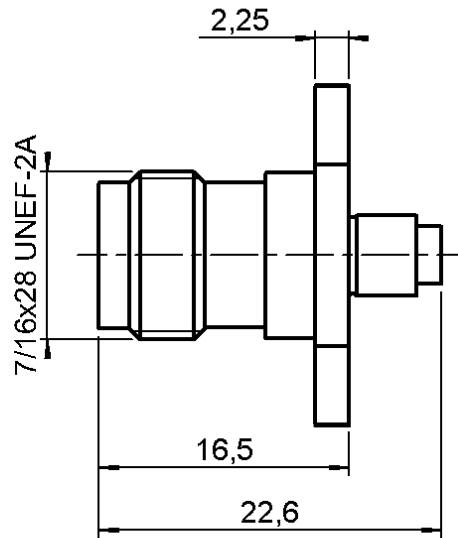
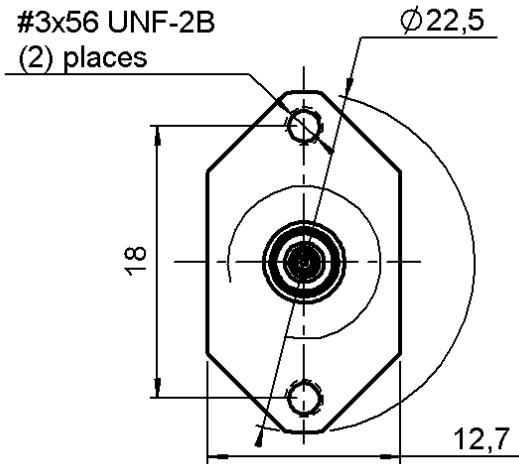


RP TNC STR. TWO HOLE FLANGE JACK REVERSE

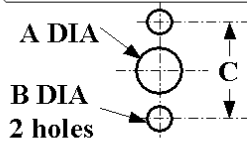
R300.143.270

CRIMP TYPE CABLE 2/50S

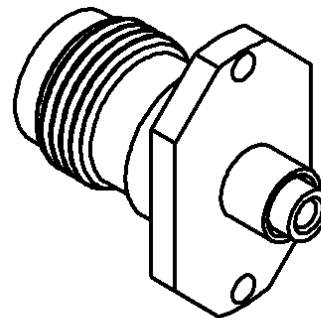
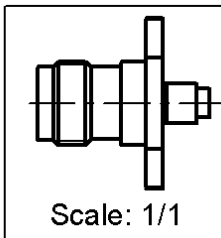
Series :
REV.POLARITY



PANEL CUT OUT



mm		
	Maxi	mini
A	5.49	5.41
B	2.8	2.7
C	18.1	17.9



All dimensions are in mm.

COMPONENTS	MATERIALS	PLATINGS (µm)
BODY	BRASS	NICKEL 2
CENTER CONTACT	BRASS	GOLD 0.5 OVER NICKEL 2
OUTER CONTACT	-	-
INSULATOR	PTFE	-
GASKET	-	-
OTHERS PARTS	-	-
-	-	-
-	-	-

Issue : 0331 B

In the effort to improve our products, we reserve the right to make changes judged to be necessary.



RP TNC STR. TWO HOLE FLANGE JACK REVERSE

R300.143.270

CRIMP TYPE CABLE 2/50S

Series :
REV.POLARITY

PACKAGING

Standard	Unit	Other
100	'W' option	Contact us

SPECIFICATION

ELECTRICAL CHARACTERISTICS

Impedance		50 Ω
Frequency		0-11 GHz
VSWR	1.60 * +	0.000 x F(GHz) Maxi
Insertion loss		TBD √F(GHz) dB Maxi
RF leakage	- (TBD	- F(GHz)) dB Maxi
Voltage rating		500 Veff Maxi
Dielectric withstanding voltage		1000 Veff mini
Insulation resistance		5000 MΩ mini

CABLE ASSEMBLY

Stripping	a	b	c	d	e	f
mm	3.00	10.0	0.00	1.50	5.00	0.00

Assembly instruction : **Crimp 09**

Recommended cable(s)
RG 196
RG 178
KX 21
RG 178 LC

Characteristics indicated on this data sheet are those that can be achieved with the highest performance cable. Intrinsic limitations of the cable may diminish the performance of the assembly

Cable retention
- pull off **45.3** N mini
- torque - N.cm

MECHANICAL CHARACTERISTICS

Center contact retention		
Axial force – Mating end	18.1	N mini
Axial force – Opposite end	18.1	N mini
Torque	2.8	N.cm mini

TOOLING

Part Number	Description	Hexagon
.	.	.
R282.293.000	CRIMPING TOOL	
R282.235.009	CRIMPING DIES	Hex 1.73 Hex 4.52
R282.223.000	CRIMPING TOOL	Hex 1.73
R282.211.000	CRIMPING TOOL	Hex 4.52

Recommended torque		
Mating	NA	N.cm
Panel nut	NA	N.cm
Clamp nut	NA	N.cm
A/F clamp nut	0.000	mm

Mating life	500	Cycles mini
Weight	10.421	g

OTHERS CHARACTERISTICS

* 1.60 à 2GHz

ENVIRONMENTAL

Operating temperature	-65/+165	° C
Hermetic seal	NA	Atm.cm3/s
Panel leakage	NA	

Issue : 0331 B

In the effort to improve our products, we reserve the right to make changes judged to be necessary.

